

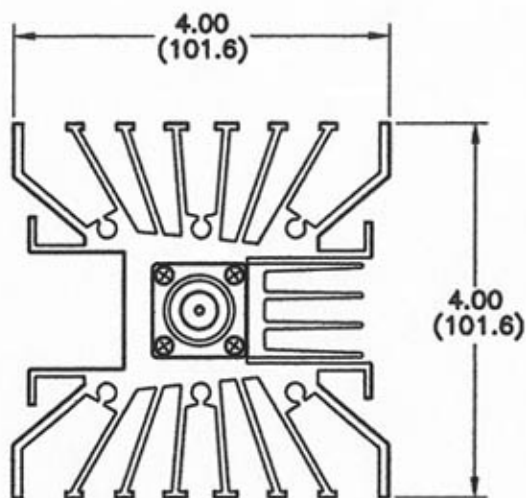
4

3

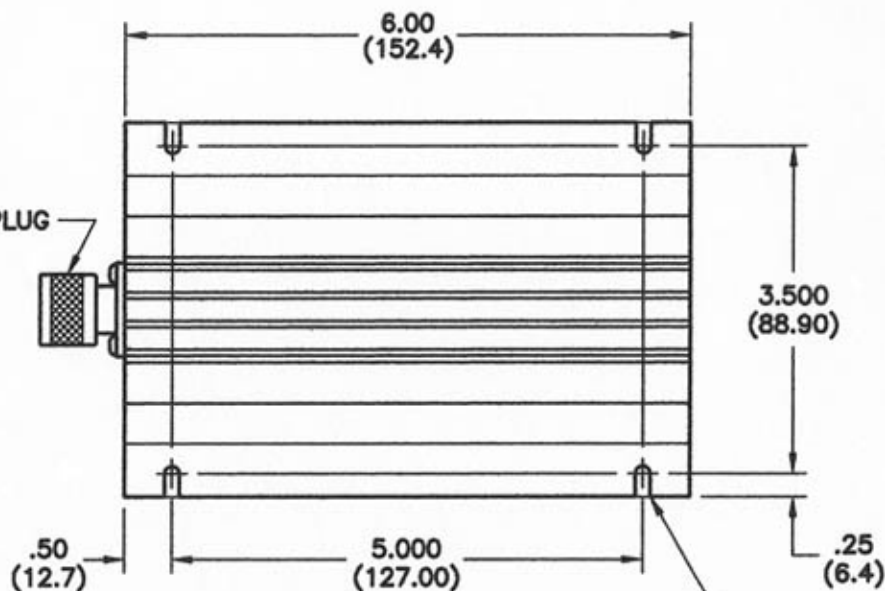
2

1

REVISIONS					
REV	ZONE	DESCRIPTION	DATE	BY	ECO



TYPE N PLUG
SHOWN



.156(3.96) WIDE SLOT, 4 PLACES
TOP AND BOTTOM OF UNIT

DIMENSIONS: INCHES
(MILLIMETERS)

SPECIFICATIONS

FREQUENCY RANGE - DC TO 6.0 GHz

IMPEDANCE - 50 OHMS

VSWR (DC - 2.0 GHz) - 1.20:1

(2.0 - 4.0 GHz) - 1.28:1

(4.0 - 6.0 GHz) - 1.30:1

INPUT POWER (AVG.) - 100 WATTS

(PEAK) - 2000 WATTS

CONNECTOR TYPES - BNC, TNC, N, SMA, 7/16 DIN
PLUG OR JACK
(TYPE N JACK SHOWN)

TOLERANCES		THE INFORMATION CONTAINED IN THIS DOCUMENT IS THE PROPERTY OF MICROWAVE DEVICES, INC. AND IS PROPRIETARY. IT IS NOT TO BE COPIED OR USED FOR ANY PURPOSE OTHER THAN AS INSTRUCTED, IN WRITING, BY MICROWAVE DEVICES, INC.	SIGNATURES		DATE
DEC.XX ± .05	FRAC ±		DR	G.V.Cothren	3-28-68
.000 ± .010	ANG ±		CHK		
MATERIAL			APPD		
FINISH		CAGE CODE			
		60674		SIZE	B
		DRAWING NO.		900766	
		DRAWING SCALE		1:1	
		SHEET		1 OF 1	

MICROWAVE DEVICES
(RF and Microwave Components)

OUTLINE, MODEL 6100X6
COAXIAL TERMINATION

CAGE CODE 60674 SIZE B DRAWING NO. 900766

DRAWING SCALE 1:1 SHEET 1 OF 1

4

3

2

1